



Universal Filtered SCR Charger



The La Marche model A39DS charger is a microprocessor controlled SCR charger with adjustable output voltage, current limit and charge timer. This charger is designed to provide the battery charging flexibility needed for maintenance shops and other locations with various charging requirements.

This charger may be used as a constant current charger where the open circuit voltage can be adjusted or as a constant voltage charger with 1% regulation. The voltage and current limit adjusts from 5% to 100% of the rated value. This provides the flexibility to charge a wide range of VRLA Lead Acid or Ni-Cad battery cells. The charge timer range adjusts between 1 hour to 99 hours in 1 hour increments.

The LCD Display shows AMPS, VOLTS, AMP HOURS RETURNED and ELAPSED TIME. The initial voltage setting is derived from the actual battery voltage when the battery is connected.

The model A39DS will start upon connection to a battery and closure of the AC or DC breaker and will “Auto-Stop” when the charge cycle is terminated by action of a normal charge complete or opening the circuit breaker.

Standard Features

Microprocessor Control

Auto Start/Stop Circuitry

Constant Current Mode Charging

AC Breaker

DC Breaker

LCD Display:

DC Voltage, DC Current, AMP-Hours Returned, Elapsed Time

LED Indicators:

Charging, 80% / Complete, Current Limit, Failure

10 Year Limited Warranty

Digitally Adjustable:

Output Voltage, Charger Timer, Current Limit

Automatic Surge protection

Wide Current, Voltage & Timer Ranges

Zero Volt Battery Start

Ten-foot Output Cable

Optional Accessories

Safety Door Switch

Mobile Caster Kit (Not Available for 480 VAC)

Model Specifications

Model	DC Output			AC Input	Case	Aprox. Weight (Lbs)
	Amps	Volts	DCV Range			
A39DS-60-30V-ABD1	60	30	2 - 30	120/240/208 VAC - 1 PH	6	175
A39DS-20-60V-ABD1	20	60	6 - 60	120/240/208 VAC - 1 PH	6	130
A39DS-40-60V-ABD1	40			120/240/208 VAC - 1 PH	6	190
A39DS-100-60V-BD3	100			240/208 VAC - 3 PH	8A	325
A39DS-150-60V-BD3	150			240/208 VAC - 3 PH	8A	350
A39DS-200-60V-BD3	200			240/208 VAC - 3 PH	72	450
A39DS-100-60V-C3	100			480 VAC - 3 PH	8A	325
A39DS-150-60V-C3	150			480 VAC - 3 PH	8A	350
A39DS-200-60V-C3	200			480 VAC - 3 PH	72	450
A39DS-60-90V-BD1	60			90	8 - 90	240/208 VAC - 1 PH
A39DS-100-90V-BD3	100	240/208 VAC - 3 PH	8A			350
A39DS-150-90V-BD3	150	240/208 VAC - 3 PH	8A			565
A39DS-200-90V-BD3	200	240/208 VAC - 3 PH	72			637
A39DS-100-90V-C3	100	480 VAC - 3 PH	8A			350
A39DS-150-90V-C3	150	480 VAC - 3 PH	8A			565
A39DS-200-90V-C3	200	480 VAC - 3 PH	72			637
A39DS-30-150V-BD1	30	150	12 - 150			240/208 VAC - 1 PH
A39DS-50-150V-BD3	50			240/208 VAC - 3 PH	8A	345
A39DS-100-150V-BD3	100			240/208 VAC - 3 PH	8A	600
A39DS-150-150V-BD3	150			240/208 VAC - 3 PH	27	640
A39DS-200-150V-BD3	200			240/208 VAC - 3 PH	27	690
A39DS-100-150V-C3	100			480 VAC - 3 PH	8A	345
A39DS-150-150V-C3	150			480 VAC - 3 PH	27	600
A39DS-200-150V-C3	200			480 VAC - 3 PH	27	690

Charger Specifications

AC Input Voltages (60 Hz)

120/208/240 VAC single phase
 240/208 VAC single or three phase
 480 VAC three phase

DC Output Current

20 to 200 amps

DC Output Voltage Range

2-30 VDC
 6-60 VDC
 8-90 VDC
 12-150 VDC

Operating Temperature

0° to 50°C

Regulation

1%

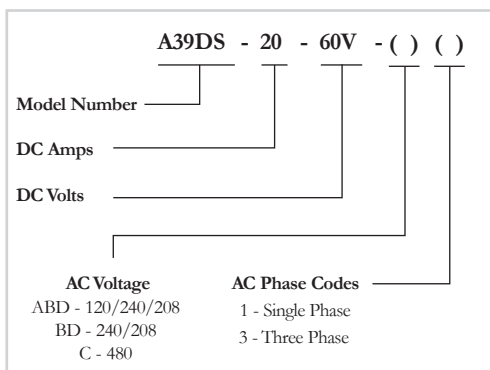
Finish

ANSI 61 baked enamel

Case Specifications

Case No.	Width		Depth		Height		Mounting
	in	mm	in	mm	in	mm	
6	25.5	650	13.9	354	28.0	711	Wall / Floor
8A	27.2	691	16.1	410	32.5	826	Floor
27	27.3	691	25.8	656	56.1	1425	Floor
72	27.0	686	23.5	597	44.5	1130	Floor

Model Number Nomenclature



Ordering Information

When ordering, please specify:

- La Marche Model Number
- Optional Accessories